

# Pneufit® D fittings

Inch

Ø 5/32" to 1/2" O/D tube



Ready to use.

Manufactured from FDA approved acetal material, and are certified by NSF (51 & 61), WRAS and SK-Zert for use with water and food.

Comprehensive range of over 600 plastic push-in fittings in both inch and metric sizes.

Releasable stainless-steel grab-ring offers fast, secure assembly and disassembly of nylon, PU and PE tubing.

Suitable for use in medical and analytical equipment including fluid and precision gas control.

Appropriate for inert gas and industrial air applications.

## Technical data

Medium  
Air and liquids

## Operating pressure

Vacuum up to 29.5" Hg  
5/32" to 5/16", -4°F to 68°F, 230 psig  
3/8" to 1/2", -4°F to 68°F, 170 psig  
5/32" to 5/16", 68°F to 149°F, 150 psig  
3/8" to 1/2", 68°F to 149°F, 100 psig

## Temperature

-4°F to 149°F

## Materials

Body: Acetal  
Seals: Food and water grade NBR  
Collet: PBT with Stainless Steel teeth

## Tube sizes

5/32", 3/16", 1/4", 5/16", 3/8" and 1/2"

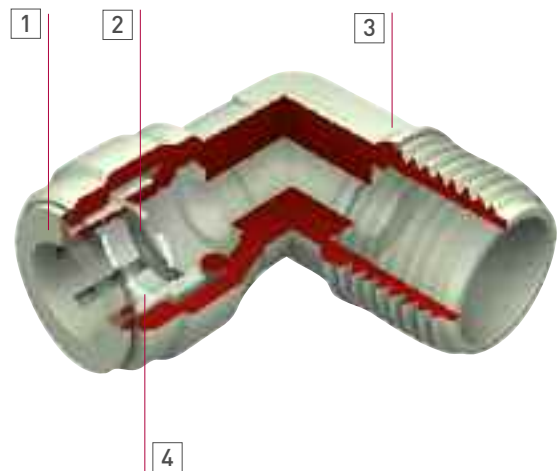
## Thread sizes

1/8", 1/4", 3/8", 1/2", 5/8" NPTF, ISO R and ISO G



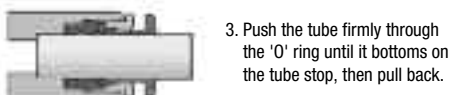
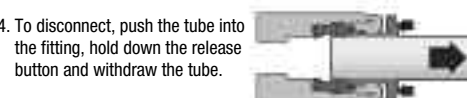
## Tube types

Nylon, Polyurethane, Polyethylene

- 1 Collet- unique oval shape allowing for easier connecting and disconnecting.
- 2 O-ring - NBR provides leak proof seal.
- 3 Body and cap - made of highly durable acetal copolymer (POM).
- 4 Stainless steel teeth - holds tubing in place



## Method of assembly

1. Ensure that the end tube is cut square and is free from burrs. 
2. Push the tube through the release ring button and grab ring into the fitting. 
3. Push the tube firmly through the 'O' ring until it bottoms on the tube stop, then pull back. 
4. To disconnect, push the tube into the fitting, hold down the release button and withdraw the tube. 

# Pneufit® D fittings

Inch

Ø 5/32" to 1/2" O/D tube

## Straight Adapter



O/D tube	Thread	Part number
5/32"	1/8" NPTF	D24250218
5/32"	1/4" NPT	D24250228
5/32"	1/8" BSPT	D21250218
5/32"	1/4" BSPT	D21250228
5/32"	1/8" BSPP	D22250218
5/32"	1/4" BSPP	D22250228
3/16"	1/8" NPTF	D24250318
3/16"	1/8" BSPT	D21250318
3/16"	1/4" BSPT	D21250328
3/16"	1/8" BSPP	D22250318
3/16"	1/4" BSPP	D22250328
1/4"	1/8" NPTF	D24250418
1/4"	1/4" NPTF	D24250428
1/4"	3/8" NPTF	D24250438
1/4"	1/2" NPTF	D24250448
1/4"	1/8" BSPT	D21250418
1/4"	1/4" BSPT	D21250428
1/4"	3/8" BSPT	D21250438
1/4"	1/2" BSPT	D21250448
1/4"	1/8" BSPP	D22250418
1/4"	1/4" BSPP	D22250428
5/16"	1/8" NPTF	D24250518
5/16"	1/4" NPTF	D24250528
5/16"	3/8" NPTF	D24250538
5/16"	1/8" BSPT	D21250518
5/16"	1/4" BSPT	D21250528
5/16"	3/8" BSPT	D21250538
5/16"	1/8" BSPP	D22250518
5/16"	1/4" BSPP	D22250528
5/16"	3/8" BSPP	D22250538
3/8"	1/8" NPTF	D24250618
3/8"	1/4" NPTF	D24250628
3/8"	3/8" NPTF	D24250638
3/8"	1/2" NPTF	D24250648
3/8"	1/8" BSPT	D21250618
3/8"	1/4" BSPT	D21250628
3/8"	3/8" BSPT	D21250638
3/8"	1/2" BSPT	D21250648
3/8"	1/4" BSPP	D22250628
3/8"	3/8" BSPP	D22250638
3/8"	1/2" BSPP	D22250648
1/2"	3/8" NPTF	D24250738
1/2"	1/2" NPTF	D24250748
1/2"	3/8" BSPT	D21250738
1/2"	1/2" BSPT	D21250748
1/2"	3/8" BSPP	D22250738
1/2"	1/2" BSPP	D22250748

## Straight Adapter (female thread, flat type)



O/D tube	Thread	Part number
1/4"	1/8" NPTF	D242C0418
1/4"	1/4" NPTF	D242C0428
5/16"	1/8" NPTF	D242C0518
5/16"	1/4" NPTF	D242C0528
5/16"	5/8" BSPP	D222C0558
3/8"	1/8" NPTF	D242C0618
3/8"	1/4" NPTF	D242C0628
3/8"	1/2" BSPP	D222C0648
3/8"	5/8" BSPP	D222C0658
1/2"	3/8" BSPP	D222C0738
1/2"	1/2" BSPP	D222C0748
1/2"	5/8" BSPP	D222C0758

## Straight Adapter (female thread, v type)



O/D tube	Thread	Part number
1/4"	7/16-20UNF	D242B042Y
5/16"	7/16-20UNF	D242B052Y
5/16"	1/2-16UNF	D242B053Z
3/8"	7/16-20UNF	D242B062Y
3/8"	5/8-18UNF	D242B064Y
3/8"	1/2-16UNF	D242B063Z
1/2"	1/2-16UNF	D242B073Z

## Straight Adapter (female thread, cone type)



O/D tube	Thread	Part number
1/4"	7/16-20UNF	D242D042Y
1/4"	7/16-24UNS	D242D042W
1/4"	3/8" BSPP	D222D0438
1/4"	1/2" BSPP	D222D0448
5/16"	7/16-20UNF	D242D052Y
5/16"	7/16-24UNS	D242D052W
5/16"	3/8" BSPP	D222D0538
5/16"	1/2" BSPP	D222D0548
3/8"	7/16-20UNF	D242D062Y
3/8"	7/16-24UNS	D242D062W
3/8"	3/8" BSPP	D222D0638
3/8"	1/2" BSPP	D222D0648
3/8"	5/8" BSPP	D222D0658
1/2"	5/8" BSPP	D222D0758

## Elbow Adapter



O/D tube	Thread	Part number
3/16"	1/8" NPTF	D24450318
1/4"	1/8" NPTF	D24450418
1/4"	1/4" NPTF	D24450428
1/4"	3/8" NPTF	D24450438
5/16"	1/4" NPTF	D24450528
5/16"	3/8" NPTF	D24450538
3/8"	1/4" NPTF	D24450628
3/8"	3/8" NPTF	D24450638
1/2"	3/8" NPTF	D24450738
1/2"	1/2" NPTF	D24450748

# Pneufit® D fittings

Inch

Ø 5/32" to 1/2" O/D tube

## 90° Swivel Elbow Adapter



O/D tube	Thread	Part number
5/32"	1/8" NPTF	D24470218
5/32"	1/4" NPTF	D24470228
3/16"	1/8" NPTF	D24470318
1/4"	1/8" NPTF	D24470418
1/4"	1/4" NPTF	D24470428
5/16"	1/8" NPTF	D24470518
5/16"	1/4" NPTF	D24470528
5/16"	3/8" NPTF	D24470538
3/8"	1/4" NPTF	D24470628
3/8"	3/8" NPTF	D24470638
1/2"	3/8" NPTF	D24470738
1/2"	1/2" NPTF	D24470748

## Straight Stem Adapter



O/D tube	Thread	Part number
5/32"	1/8" NPTF	D24150218
5/32"	1/4" NPTF	D24150228
3/16"	1/8" NPTF	D24150318
1/4"	1/8" NPTF	D24150418
1/4"	1/4" NPTF	D24150428
5/16"	1/8" NPTF	D24150518
5/16"	1/4" NPTF	D24150528
5/16"	3/8" NPTF	D24150538
3/8"	1/4" NPTF	D24150628
3/8"	3/8" NPTF	D24150638
1/2"	3/8" NPTF	D24150738
1/2"	1/2" NPTF	D24150748

## Swivel Side Tee Adapter



O/D tube	Thread	Part number
5/32"	1/8" NPTF	D24480218
5/32"	1/4" NPTF	D24480228
3/16"	1/8" NPTF	D24480318
1/4"	1/8" NPTF	D24480418
1/4"	1/4" NPTF	D24480428
5/16"	1/8" NPTF	D24480518
5/16"	1/4" NPTF	D24480528
5/16"	3/8" NPTF	D24480538
3/8"	1/4" NPTF	D24480628
3/8"	3/8" NPTF	D24480638
1/2"	3/8" NPTF	D24480738
1/2"	1/2" NPTF	D24480748

## Straight Union



O/D tube	Part number
5/32"	D20200200
3/16"	D20200300
1/4"	D20200400
5/16"	D20200500
3/8"	D20200600
1/2"	D20200700

## Bulkhead Union



O/D tube	Part number
5/32"	D20290200
3/16"	D20290300
1/4"	D20290400
5/16"	D20290500
3/8"	D20290600
1/2"	D20290700

## Swivel Tee Adapter



O/D tube	Thread	Part number
5/32"	1/8" NPTF	D24670218
5/32"	1/4" NPTF	D24670228
3/16"	1/8" NPTF	D24670318
1/4"	1/8" NPTF	D24670418
1/4"	1/4" NPTF	D24670428
5/16"	1/8" NPTF	D24670518
5/16"	1/4" NPTF	D24670528
5/16"	3/8" NPTF	D24670538
3/8"	1/4" NPTF	D24670628
3/8"	3/8" NPTF	D24670638
1/2"	3/8" NPTF	D24670738
1/2"	1/2" NPTF	D24670748

## Plug



O/D tube	Part number
5/32"	D20040200
3/16"	D20040300
1/4"	D20040400
5/16"	D20040500
3/8"	D20040600
1/2"	D20040700

## End stop



O/D tube	Part number
1/4"	D200A0400
5/16"	D200A0500
3/8"	D200A0600
1/2"	D200A0700

# Pneufit® D fittings

Inch

Ø 5/32" to 1/2" O/D tube

## Union Elbow



O/D tube	Part number
5/32"	D20400200
3/16"	D20400300
1/4"	D20400400
5/16"	D20400500
3/8"	D20400600
1/2"	D20400700

## Stem Elbow



O/D tube	Part number
5/32"	D20430200
3/16"	D20430300
1/4"	D20430400
5/16"	D20430500
3/8"	D20430600
1/2"	D20430700

## Union Tee



O/D tube	Part number
5/32"	D20600200
3/16"	D20600300
1/4"	D20600400
5/16"	D20600500
3/8"	D20600600
1/2"	D20600700

## Union Y



O/D tube	Part number
5/32"	D20820200
3/16"	D20820300
1/4"	D20820400
5/16"	D20820500
3/8"	D20820600
1/2"	D20820700

## Union Cross



O/D tube	Part number
5/32"	D20900200
3/16"	D20900300
1/4"	D20900400
5/16"	D20900500
3/8"	D20900600
1/2"	D20900700

## U Bend



O/D tube	Part number
1/4"	D20890400
5/16"	D20890500
3/8"	D20890600
1/2"	D20890700

## Straight Union (Unequal)



A O/D tube	A1 O/D tube	Part number
1/4"	5/32"	D20200402
1/4"	3/16"	D20200403
5/16"	5/32"	D20200502
5/16"	3/16"	D20200503
5/16"	1/4"	D20200504
3/8"	5/32"	D20200602
3/8"	3/16"	D20200603
3/8"	1/4"	D20200604
3/8"	5/16"	D20200605
1/2"	5/16"	D20200705
1/2"	3/8"	D20200706

## Union Elbow (Unequal)



A O/D tube	A1 O/D tube	Part number
5/16"	5/32"	D20400502
5/16"	3/16"	D20400503
5/16"	1/4"	D20200504
3/8"	3/16"	D20400603
3/8"	1/4"	D20400604
3/8"	5/16"	D20400605
1/2"	1/4"	D20400704
1/2"	5/16"	D20400705
1/2"	3/8"	D20400706

## 40° Union Elbow (Unequal)



A O/D tube	A1 O/D tube	Part number
3/8"	1/4"	D205A0604
1/2"	5/16"	D205A0705

## Union Y (One/two)



A O/D tube	A1 O/D tube	Part number
3/8"	5/16"	D20820605
3/8"	1/2"	D20820607

## Bulkhead Union (Unequal)



O/D tube	Thread	Part number
1/4"	3/8"	D20290406
3/8"	1/4"	D20290604

# Pneufit® D fittings

Inch

Ø 5/32" to 1/2" O/D tube



Three Way Splitter (in/out)

A O/D tube	A1 O/D tube	Part number
3/8"	1/4"	D20910604
1/2"	3/8"	D20910706



Stem Elbow (Stem/Tube)

A O/D tube	A1 O/D tube	Part number
3/16"	3/8"	D20430603
1/4"	3/8"	D20430604
5/16"	3/8"	D20430605



Stem Reducer (stem/tube)

A O/D tube	A1 O/D tube	Part number
1/4"	5/32"	D20230402
5/16"	3/16"	D20230503
5/16"	1/4"	D20230504
3/8"	3/16"	D20230603
3/8"	1/4"	D20230604
3/8"	5/16"	D20230605
1/2"	5/16"	D20230705
1/2"	3/8"	D20230706



Hand Valve (Union)

O/D tube	Part number
1/4"	D20GR0400
3/8"	D20GR0600
1/2"	D20GR0700



Stem Elbow Adapter (Stem/Barb)

A O/D tube	A1 O/D tube	Part number
1/4"	5/16"	D204A0405
5/16"	1/4"	D204A0504
3/8"	1/4"	D204A0604
3/8"	5/16"	D204A0605



Hand Valve (male adapter)

O/D tube	Thread	Part number
1/4"	1/4" NPTF	D24GT0428
3/8"	3/8" NPTF	D24GT0638
1/2"	1/2" NPTF	D24GT0748



Stem Tailpiece Adapter (Stem/Barb)

A O/D tube	A1 O/D tube	Part number
1/4"	5/16"	D20390405
5/16"	3/16"	D20390503
5/16"	1/4"	D20390504
5/16"	3/8"	D20390506
3/8"	1/4"	D20390604
3/8"	5/16"	D20390605
3/8"	1/2"	D20390607
1/2"	3/8"	D20390706



Hand Valve (female adapter)

O/D tube	Thread	Part number
1/4"	1/4" NPTF	D24GU0428
3/8"	3/8" NPTF	D24GU0638
1/2"	1/2" NPTF	D24GU0748

# Pneufit D fittings

Inch

Ø 5/32" to 1/2" O/D tube

## ACCESSORIES



Cartridges (Brass)

O/D tube	Part number
5/32"	D20080200B
3/16"	D20080300B
1/4"	D20080400B
5/16"	D20080500B
3/8"	D20080600B
1/2"	D20080700B



Locking Clip

O/D tube	Part number
1/4"	D2LC04**
5/16"	D2LC05**
3/8"	D2LC06**
1/2"	D2LC07**

\*\*BK-Black, BU-Blue, GN-Green, RD-Red, YW-Yellow



Cartridges (Stainless Steel)

O/D tube	Part number
5/32"	D20080200G
3/16"	D20080300G
1/4"	D20080400G
5/16"	D20080500G
3/8"	D20080600G
1/2"	D20080700G



Flow Bend Clip

O/D tube	Part number
5/16"	D2D5B0500
3/8"	D2D5B1000
1/2"	D2D5B1200



Tube Support

O/D tube	Part number
1/4"	D20330403
5/16"	D20330504
3/8"	D20330605
1/2"	D20330706



LDPE Tubing (natural)

O/D tube	Part number
5/32"	PE0052500
3/16"	PE0053500
1/4"	PE0054500
5/16"	PE0055500
3/8"	PE0056500
1/2"	PE0057250