

Excelon® Filter/Regulator-Lubricator Boxed Sets

B72/L72, B73/L73, B74/L74

Boxed sets are an excellent and attractive marketing tool for counter displays.

True modularity with Norgren Quikclamp® connections

Quick release bayonet bowl

Lubricator flow sensor provides a nearly constant oil/air ratio over a wide range of air flows

All around (360°) visibility of the lubricator sight-feed dome simplifies installation and adjustment

Regulator balanced valve minimizes effect of variation in the inlet pressure on the outlet pressure

Technical data

Fluid:

Compressed air

Maximum pressure:

Transparent bowl: 150 psig (10 bar)

Metal bowl (manual or semi automatic drain): 250 psig (17 bar)

(72) 150 psig (10 bar)

Operating temperature*:

Transparent bowl:

0° to 125°F (-20° to 50°C)

Metal bowl:

0° to 150°F (-20° to 65°C)

* Air supply must be dry enough to avoid ice formation at temperatures below 35°F (2°C).

Particle removal:

5 µm, 25 µm, or 40 µm filter element

Materials

Body: zinc or aluminum

Bonnet: acetal or aluminum

Bowl:

Metal bowl: (72) polycarbonate
(73, 74) aluminum

Metal bowl liquid level indicator lens: transparent nylon

Sight-feed dome: transparent nylon

Element: sintered polypropylene

Elastomers: neoprene, nitrile



Boxed sets



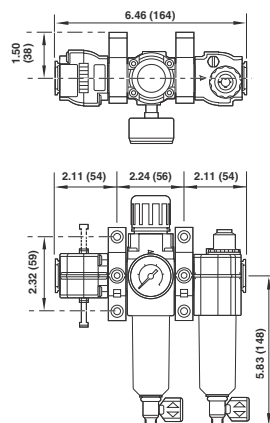
BL72-201A

Ordering information

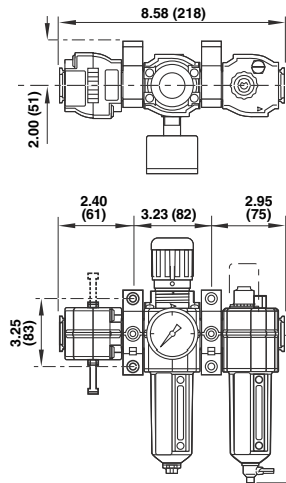
Models include PTF threads. Filter/Regulator (F/R) has knob adjustment, automatic drain, metal bowl with level indicator, 40 µm element, relieving diaphragm, and 150 psig (10 bar) regulating spring, and gauge. Lubricator (L) is a Micro-Fog model with 1/4 turn manual drain and metal bowl with level indicator. Shut off valve is included.

Boxed Set Combination Units (ship within 24 hours)

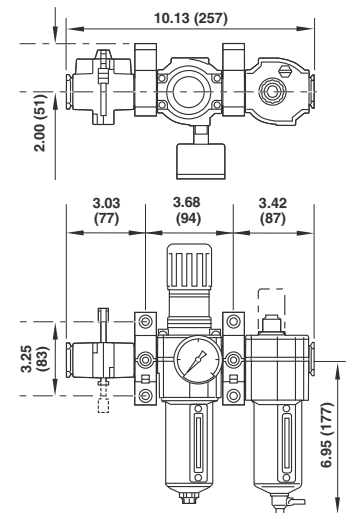
Boxed Set	Port size	Model
Filter/Regulator-Lubricator-Lockout valve-gauge-brackets	1/4"	BL72-201A
Filter/Regulator-Lubricator-Lockout valve-gauge-brackets	3/8"	BL73-301A
Filter/Regulator-Lubricator-Lockout valve-gauge-brackets	1/2"	BL74-401A



BL72-201A



BL73-301A



BL74-401A

Dimensions in inches (mm).

Other combinations are available. Please consult Norgren for more information.