

Filter/Regulator-Lubricator Combination units in port sizes from 1/8" to 3/4".

07 Series Filter/Regulator-Lubricator Combination	
Units 1/8" and 1/4" port sizes	ALE-21-2
Excelon 72 Filter/Regulator-Lubricator Combination	
Units 1/4" and 3/8" port sizes	ALE-21-4
Excelon 73 Filter/Regulator-Lubricator Combination	
Units 1/4", 3/8", and 1/2" port sizes	ALE-21-8
Excelon 74 Filter/Regulator-Lubricator Combination	
Units 3/8", 1/2", and 3/4" port sizes	ALE-21-12
Olympian 64 Filter/Regulator-Lubricator Combination	
Units 1/4", 3/8", 1/2", and 3/4" port sizes	ALE-21-16



07 Series F/R-L



72 Series F/R-L



73 Series F/R-L



74 Series F/R-L



64 Series F/R-L

P1H, PTH Combination Unit

07 Series Filter/Regulator-Lubricator
1/8" and 1/4" Port Sizes

- Compact design
- Filter removes liquids and solid particles down to 5 µm
- Push to lock adjusting knob with tamper resistant option
- Micro-Fog lubricator provides air line lubrication to one or more air driven tools or other devices
- Nearly constant oil density output with varying air flow
- Can be disassembled without the use of tools or removal from the air line



Ordering Information. Models listed include PTF threads, transparent bowls, filter/regulator with relieving diaphragm, automatic drain, 5 µm element, 5 to 100 psig (0.3 to 7 bar) outlet pressure adjustment range*, gauge, and lubricator with manual drain.

Port Size	Model Number	Weight lbs (kg)
1/8"	P1H-100-A1AA	0.87 (40)
1/4"	P1H-200-A1AA	0.87 (40)

Alternative Models

Integral Wall Bracket	Substitute
Without (P1H Combination Unit)	1
With (PTH Combination Unit)	T

Port Size	Substitute
1/8"	1
1/4"	2

P ★ H - ★ ★ ★ - ★ ★ ★ ★

Threads	Substitute
PTF	A
ISO Rc taper	B
ISO G parallel	G

Lubricator Reservoir	Substitute
Transparent with drain	A
Transparent without drain	Q
Metal with drain	M
Metal without drain	F

Filter/Regulator Element	Substitute
5 µm	1
40 µm	3

Filter/Regulator Drain	Substitute
Automatic	A
Manual	M

Filter/Regulator Bowl	Outlet Pressure Adjustment Range* bar psig	Relief Type	Gauge	Substitute
Transparent	5 to 100 0.3 to 7	Relieving	With	00
Transparent	5 to 100 0.3 to 7	Relieving	Without	01
Transparent	5 to 100 0.3 to 7	Non-relieving	Without	02
Transparent	5 to 100 0.3 to 7	Non-relieving	With	03
Transparent	5 to 50 0.3 to 3.5	Relieving	Without	04
Transparent	5 to 50 0.3 to 3.5	Relieving	With	05
Transparent	5 to 50 0.3 to 3.5	Non-relieving	Without	06
Transparent	5 to 50 0.3 to 3.5	Non-relieving	With	07
Metal / no sight glass	5 to 100 0.3 to 7	Relieving	With	40
Metal / no sight glass	5 to 100 0.3 to 7	Relieving	Without	41
Metal / no sight glass	5 to 100 0.3 to 7	Non-relieving	Without	42
Metal / no sight glass	5 to 100 0.3 to 7	Non-relieving	With	43
Metal / no sight glass	5 to 50 0.3 to 3.5	Relieving	Without	44
Metal / no sight glass	5 to 50 0.3 to 3.5	Relieving	With	45
Metal / no sight glass	5 to 50 0.3 to 3.5	Non-relieving	Without	46
Metal / no sight glass	5 to 50 0.3 to 3.5	Non-relieving	With	47

See Section ALE-25 for Accessories

* Outlet pressure can be adjusted to pressures in excess of, and less than, those specified. Do not use these units to control pressures outside of the specified ranges.



Technical Data

Fluid: Compressed air

Maximum pressure

Transparent bowl: 150 psig (10 bar)

Metal bowl: 250 psig (17 bar)

Operating temperature*

Transparent bowl: 0° to 125°F (-20° to 50°C)

Metal bowl: 0° to 150°F (-20° to 65°C)

* Air supply must be dry enough to avoid ice formation at temperatures below 35°F (2°C)

Typical flow at 100 psig (7 bar) inlet pressure, 90 psig (6.3 bar) set pressure and a droop of 15 psig (1 bar) from set:

1/8" ports: T.B.A.

1/4" ports: 6 scfm (3 dm³/s)

Drain connection: 1/8" pipe

Filter/Regulator

Particle removal: 5 µm or 40 µm. Within ISO 8573-1, Class 3 and Class 5

Gauge ports:

1/8" PTF with PTF main ports

1/8" ISO Rc with ISO Rc main ports

1/8" ISO Rc with ISO G main ports

Automatic drain operation: Spitter type drain operates momentarily when a rapid change in air flow occurs or when the supply pressure is reduced.

Lubricator

Start point (i.e., minimum flow required for lubricator operation): 0.5 scfm (0.24 dm³/s) at 90 psig (6.3 bar) inlet pressure

Nominal bowl capacity: 1 fluid ounce (31 ml)

Recommended lubricants: See Section ALE-29.

Materials

Bodies: Zinc

Filter/Regulator bonnet: Acetal

Filter/Regulator valve: Brass/nitrile

Filter/Regulator valve seat: Acetal

Bowls

Transparent: Polycarbonate

Metal: Zinc

Lubricator sight-feed dome: Transparent nylon

Filter element: Sintered polypropylene

Elastomers: Nitrile

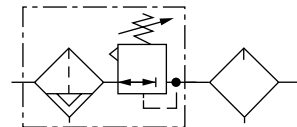
Service Kits

Item	Type	Part number
Service kits, filter/regulator	relieving, 5 µm element	3820-02
	non relieving, 5 µm element	3820-01
Service kit, lubricator		3795-03
Replacement drains	Manual	773-03
	Automatic	3654-02
Replacement wall bracket for PTH unit	Integral 2 piece	6700-30

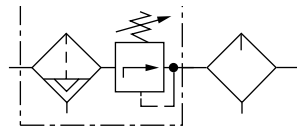
Filter/regulator service kit contains slip ring, diaphragm, valve seat with o-ring, valve, valve spring, element, element gasket, and bowl o-ring.

Lubricator service kit contains sight-feed dome seal, cartridge o-ring, and bowl o-ring.

ISO Symbols

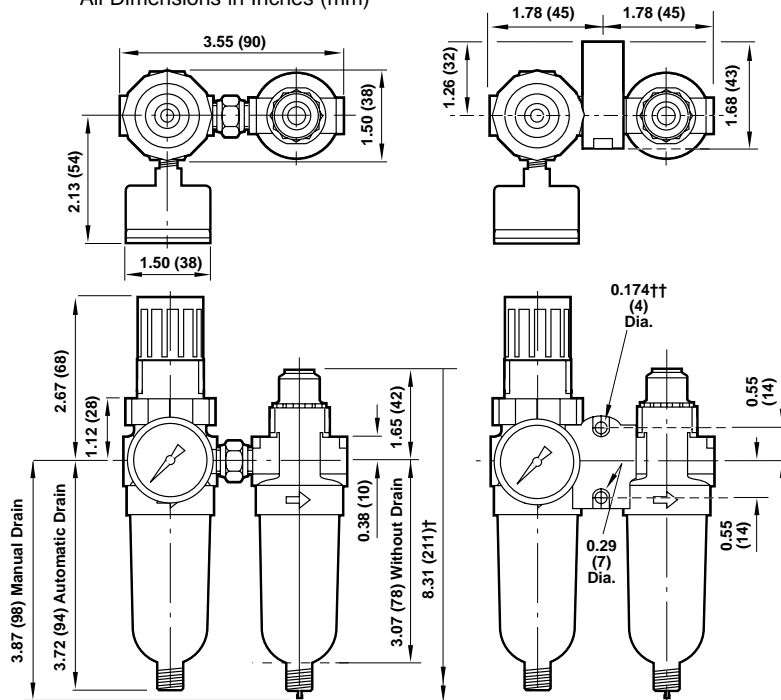


Relieving filter/regulator with automatic drain, lubricator with manual drain



Non relieving filter/regulator with automatic drain, lubricator with manual drain

All Dimensions in Inches (mm)



† Minimum distance required to remove bowl
 †† Mounting holes

- True modularity with Norgren Quikclamp™ connections
- Quick release bayonet bowl
- Lubricator flow sensor provides a nearly constant oil/air ratio over a wide range of air flows
- All around (360°) visibility of the lubricator sight-feed dome simplifies installation and adjustment
- Regulator balanced valve minimizes effect of variation in the inlet pressure on the outlet pressure

Use Micro-Fog models in applications containing one or more points of lubrication.
Use Oil-Fog models to lubricate a single tool, cylinder, or other air driven device.



Technical Data

Fluid: Compressed air

Maximum pressure:

Transparent bowl: 150 psig (10 bar)

Metal bowl (manual or semi automatic drain): 250 psig (17 bar)

Automatic drain: 150 psig (10 bar)

Operating temperature*:

Transparent bowl: 0° to 125°F (-20° to 50°C)

Metal bowl: 0° to 150°F (-20° to 65°C)

* Air supply must be dry enough to avoid ice formation at temperatures below 35°F (2°C).

Particle removal: 5 µm, 25 µm, or 40 µm filter element

Manual drain connection: Will fit 1/8-27 and 1/8-28 pipe thread

Semi automatic drain connection: Push on 5/16" (8 mm) ID tube

Semi automatic drain operating conditions (pressure operated)

Bowl pressure required to close drain: Greater than 1.5 psig (0.1 bar)

Bowl pressure required to open drain: Less than 1.5 psig (0.1 bar)

Minimum air flow required to close drain: 1 scfm (0.5 dm³/s)

Manual operation: Lift stem to drain bowl

Automatic drain connection: Will fit 1/8-27 and 1/8-28 pipe thread

Automatic drain operating conditions (float operated):

Bowl pressure required to close drain: Greater than 5 psig (0.3 bar)

Bowl pressure required to open drain: Less than 3 psig (0.2 bar)

Minimum air flow required to close drain: 0.2 scfm (0.1 dm³/s)

Manual operation: Depress pin inside drain outlet to drain bowl

Nominal bowl size

Short bowl: 1.9 fluid ounce (56 ml)

Long bowl: 2.2 fluid ounce (65 ml)

Gauge ports: 1/8 PTF with PTF main ports

Rc 1/8 with ISO Rc and ISO G main ports

Recommended lubricants: See Section ALE-29.

Materials

Body: Zinc

Bonnet: Acetal

Filter/Regulator valve: Brass

Bowl: Transparent: Polycarbonate

Transparent with guard: Polycarbonate, zinc guard

Metal: Zinc

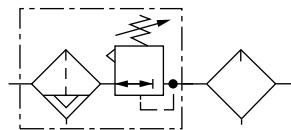
Metal bowl liquid level indicator lens: Transparent nylon

Sight-Feed dome: Transparent nylon

Element: Sintered polypropylene

Elastomers: Neoprene, nitrile

ISO Symbol



Filter with automatic drain, Regulator with relieving diaphragm,
Lubricator with manual drain

See Section ALE-25 for Accessories



Ordering information. Models include PTF threads. Filter/Regulator (F/R) has knob adjustment, automatic drain, long transparent bowl with guard, 40 µm element, relieving diaphragm, and 150 psig (10 bar) regulating spring, and gauge. Lubricator (L) is a Micro-Fog model with 1/4 turn manual drain and long transparent bowl with guard.

Combination Unit Type	Port Size	Model	Weight lb (kg)
Filter/Regulator-Lubricator (F/R-L)	1/4"	C72H-2AK-AW3-RMG-QWN	2.37 (1.08)
	3/8"	C72H-3AK-AW3-RMG-QWN	2.37 (1.08)

Alternative Models

★ 7 2 ★ - ★ ★ ★ - ★ ★ ★ - ★ ★ ★ - ★ ★ ★

Shutoff/Lockout Valve, Quikmount	Substitute		Accessories	Substitute
Standard Combination (No Shutoff/Lockout Valve, no Quikmount)	C		Quikclamp wall brackets	B
With Shutoff/Lockout valve on inlet	D		No accessories	N
With Quikmount pipe adapters on inlet and outlet	E		Lubricator Bowl	Substitute
With Shutoff/Lockout Valve on inlet and Quikmount pipe adapter on outlet	G		Short metal with liquid level indicator	D
Combination Unit Type	Substitute		Long metal with liquid level indicator	E
Standard Micro-Fog F/R-L	H		Short transparent without guard	T
Standard Oil-Fog F/R-L	J		Long transparent without guard	L
Micro-Fog F/R-L with porting block between filter/regulator and lubricator	K		Long transparent with guard	W
Oil-Fog F/R-L with porting block between filter/regulator and lubricator	L		Lubricator Drain	Substitute
Port Size	Substitute		Closed bottom	E
1/4"	2		Manual, 1/4 turn	Q
3/8"	3		Regulator Gauge	Substitute
Threads	Substitute		With gauge	G
PTF	A		No gauge	N
ISO Rc taper	B		Regulation spring **	Substitute
ISO G parallel	G		5 to 30 psig (0.3 to 2 bar)	C
Pressure Adjustment	Substitute		5 to 60 psig (0.3 to 4 bar)	F
Knob	K		5 to 150 psig (0.3 to 10 bar)	M
T-bar	T		Regulator Diaphragm	Substitute
Filter Drain	Substitute		Non-relieving	N
Automatic †	A		Relieving	R
Manual, 1/4 turn	Q		Filter Element	Substitute
Semi automatic	S		5 µm	1
Filter Bowl	Substitute		25 µm	2
Short metal with liquid level indicator	D		40 µm	3
Long metal with liquid level indicator	E			
Short transparent without guard	T			
Long transparent without guard	L			
Long transparent with guard	W			

** Outlet pressure can be adjusted to pressures in excess of, and less than, those specified. Do not use these units to control pressures outside of the specified ranges.

† Supplied in long bowl options only.

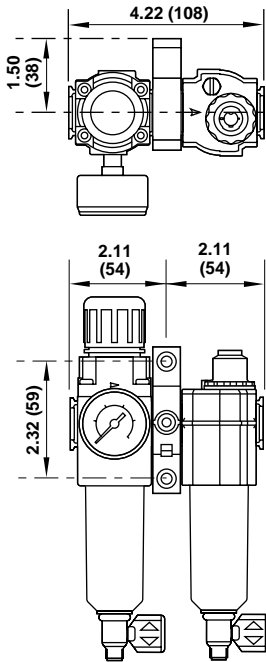


72 Series Filter/Regulator-Lubricator

All Dimensions in Inches (mm)

Standard Micro-Fog Type C72H- Standard Oil-Fog Type C72J-

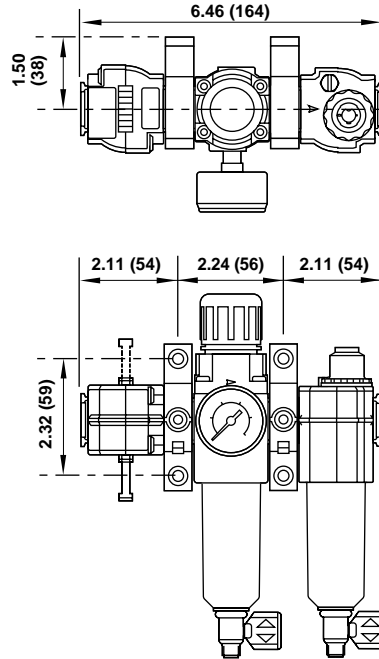
Shown with optional Quikclamp wall bracket.



Alternative Micro-Fog Type D72H- Alternative Oil-Fog Type D72J-

Includes Shutoff/Lockout valve.

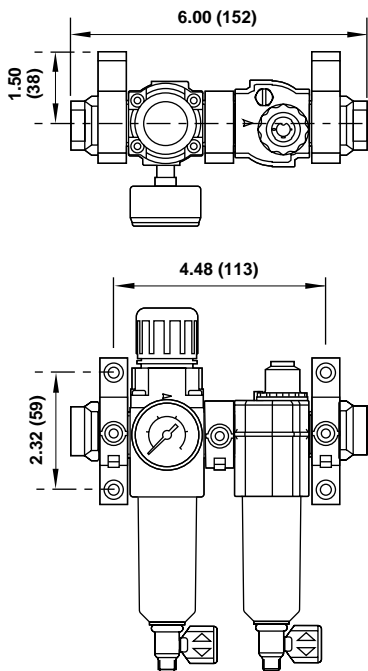
Shown with optional Quikclamp wall brackets.



Alternative Micro-Fog Type E72H- Alternative Oil-Fog Type E72J-

Includes Quikmount pipe adapters.

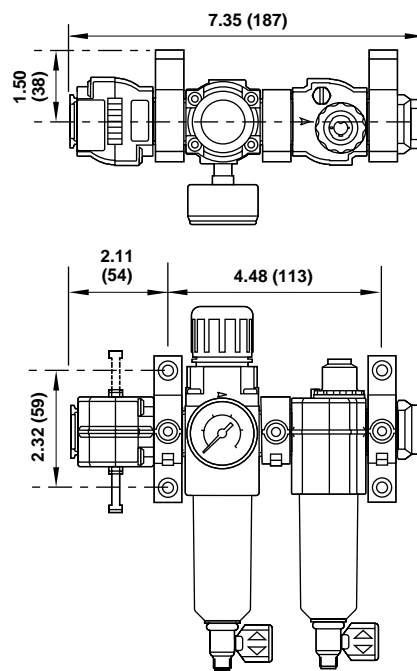
Shown with optional Quikclamp wall brackets.



Alternative Micro-Fog Type G72H- Alternative Oil-Fog Type G72J-

Includes Shutoff/Lockout valve and Quikmount pipe adapter.

Shown with optional Quikclamp wall brackets.



Excelon 72 Filter/Regulator-Lubricator

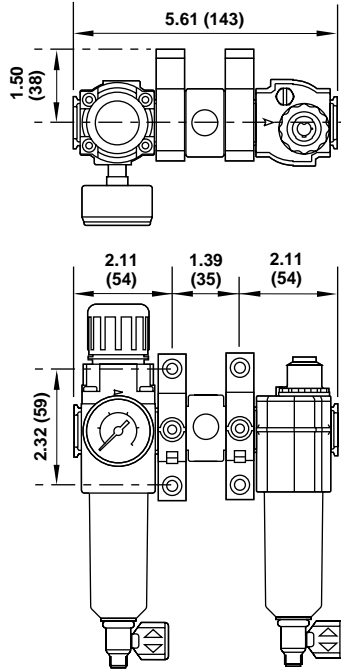
All Dimensions in Inches (mm)



Alternative Micro-Fog Type C72K- Alternative Oil-Fog Type C72L-

Includes porting block.

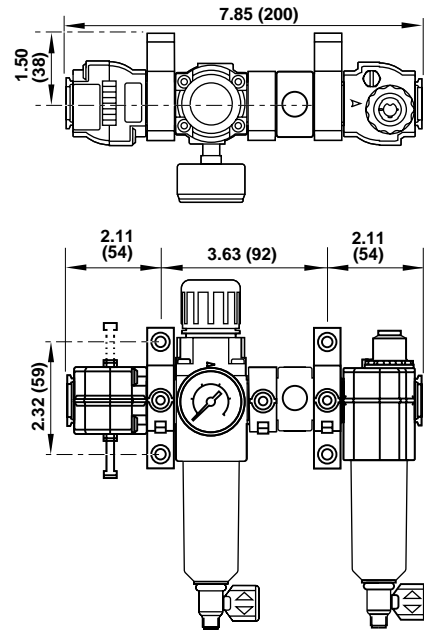
Shown with optional Quikclamp wall brackets.



Alternative Micro-Fog Type D72K- Alternative Oil-Fog Type D72L-

Includes Shutoff/Lockout valve and porting block.

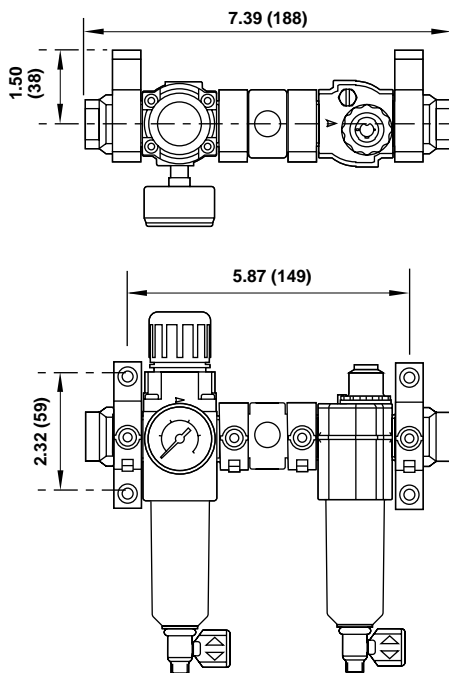
Shown with optional Quikclamp wall brackets.



Alternative Micro-Fog Type E72K- Alternative Oil-Fog Type E72L-

Includes Quikmount pipe adapters and porting block.

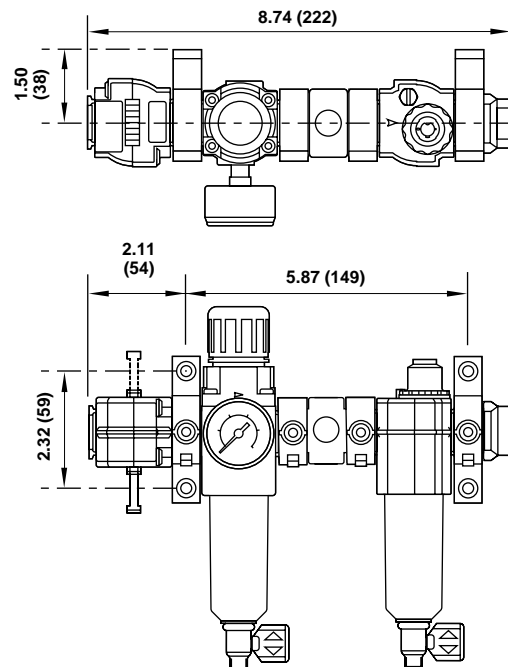
Shown with optional Quikclamp wall brackets.



Alternative Micro-Fog Type G72K- Alternative Oil-Fog Type G72L-

Includes Shutoff/Lockout valve, Quikmount pipe adapter, and porting block.

Shown with optional Quikclamp wall brackets.



- True modularity with Norgren Quikclamp™ connections
- Quick release bayonet bowl
- Lubricator flow sensor provides a nearly constant oil/air ratio over a wide range of air flows
- All around (360°) visibility of the lubricator sight-feed dome simplifies installation and adjustment
- Regulator balanced valve minimizes effect of variation in the inlet pressure on the outlet pressure

Use Micro-Fog models in applications containing one or more points of lubrication.
Use Oil-Fog models to lubricate a single tool, cylinder, or other air driven device.



Technical Data

Fluid: Compressed air

Maximum pressure:

Transparent bowl: 150 psig (10 bar)

Metal bowl: 250 psig (17 bar)

Operating temperature*:

Transparent bowl: 0° to 125°F (-20° to 50°C)

Metal bowl: 0° to 175°F (-20° to 80°C)

* Air supply must be dry enough to avoid ice formation at temperatures below 35°F (2°C).

Particle removal: 5 µm, 25 µm, or 40 µm filter element

Manual drain connection: Will fit 1/8-27 and 1/8-28 pipe thread

Automatic drain connection: Will fit 1/8-27 and 1/8-28 pipe thread

Automatic drain operating conditions (float operated)

Bowl pressure required to close drain: Greater than 5 psig (0.3 bar)

Bowl pressure required to open drain: Less than 3 psig (0.2 bar)

Minimum air flow required to close drain: 0.2 scfm (0.1 dm³/s)

Manual operation: Depress pin inside drain outlet to drain bowl

Nominal bowl size: 3.5 fluid ounce (0.1 liter)

Gauge ports:

1/4 PTF with PTF main ports

ISO Rc1/4 with ISO Rc main ports

ISO Rc1/8 with ISO G main ports

Recommended lubricants: See Section ALE-29.

Materials

Body: Aluminum

Bonnet: Aluminum

Filter/Regulator valve: Brass

Bowl

Transparent: Polycarbonate

Transparent with guard: Polycarbonate, steel guard

Metal: Aluminum or Zinc

Metal bowl liquid level indicator lens: Transparent nylon

Sight-Feed dome: Transparent nylon

Element: Sintered plastic

Elastomers: Neoprene and nitrile

See Section ALE-25 for Accessories



Ordering information

Models listed in order table have PTF parallel threads. Filter/Regulator (F/R) has knob adjustment, automatic drain, metal bowl with liquid level indicator, 40 µm element, relieving diaphragm, and 150 psig (10 bar) regulating spring, with gauge. Lubricator (L) is a Micro-Fog model with 1/4 turn manual drain and metal bowl with liquid level indicator.

Combination Unit Type	Port Size	Model	Weight lb (kg)
Filter/Regulator-Lubricator (F/R-L)	1/4"	C73H-2AK-AD3-RMG-QDN	3.0 (1.36)
	3/8"	C73H-3AK-AD3-RMG-QDN	3.0 (1.36)
	1/2"	C73H-4AK-AD3-RMG-QDN	3.0 (1.36)

Alternative Models

★ 7 3 ★ - ★ ★ ★ - ★ ★ ★ - ★ ★ ★ - ★ ★ ★

Lockout Valve/ Quikmount	Substitute
Standard Combination (No Lockout Valve, no Quikmount)	C
With Lockout valve on inlet	D
With Quikmount pipe adapters on inlet and outlet	E
With Lockout valve on inlet and Quikmount pipe adapter on outlet	G

Combination Unit Type	Substitute
Standard Micro-Fog F/R-L	H
Standard Oil-Fog F/R-L	J
Micro-Fog F/R-L with porting block between filter/regulator and lubricator	K
Oil-Fog F/R-L with porting block between filter/regulator and lubricator	L

Port Size	Substitute
1/4"	2
3/8"	3
1/2"	4

Threads	Substitute
PTF	A
ISO Rc taper	B
ISO G parallel	G

Pressure Adjustment	Substitute
Knob	K
T-bar	T

Accessories	Substitute
Quikclamp wall brackets	B
Accessories <i>B</i> and <i>Q</i>	C
No accessories	N
Lubricator quick fill nipple	Q

Lubricator Bowl	Substitute
Metal with liquid level indicator	D
Transparent with guard	P
Transparent	T

Lubricator Drain	Substitute
Closed bottom	E
Manual, 1/4 turn	Q

Filter/Regulator Gauge	Substitute
With gauge	G
No gauge	N

Regulation Spring *	Substitute
5 to 60 psig (0.3 to 4 bar)	F
5 to 150 psig (0.3 to 10 bar)	M
10 to 250 psig (0.7 to 17 bar)**	S

Filter/Regulator Diaphragm	Substitute
Non-relieving	N
Relieving	R

Filter Element	Substitute
5 µm	1
25 µm	2
40 µm	3

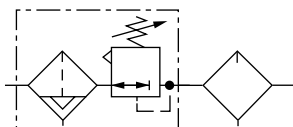
Filter Bowl	Substitute
Metal with liquid level indicator	D
Transparent with steel guard	P
Transparent	T

Filter Drain	Substitute
Automatic	A
Manual, 1/4 turn	Q

* Outlet pressure can be adjusted to pressures in excess of, and less than, those specified. Do not use these units to control pressures outside of the specified ranges.

** Units with 250 psig (17 bar) outlet pressure range are available only with the standard metal bowl.

ISO Symbol



Relieving, automatic drain on filter, manual drain on lubricator

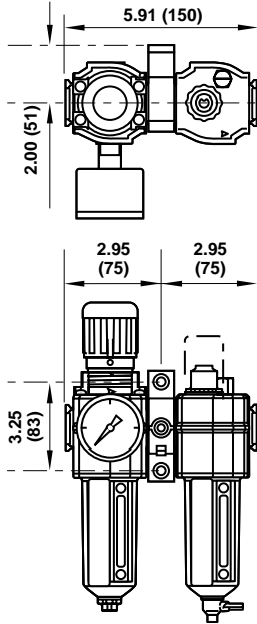


Excelon 73 Filter/Regulator-Lubricator

All Dimensions in Inches (mm)

Standard Micro-Fog Type C73H- Standard Oil-Fog Type C73J-

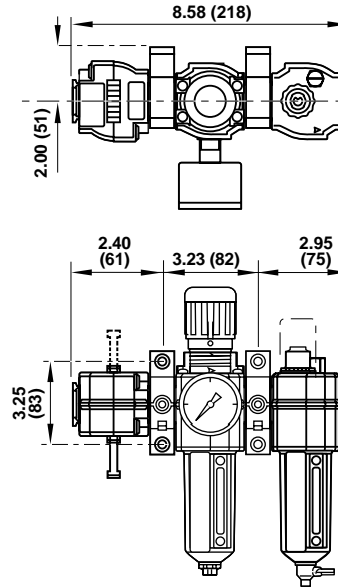
Shown with optional Quikclamp wall bracket.



Alternative Micro-Fog Type D73H- Alternative Oil-Fog Type D73J-

Includes lockout valve.

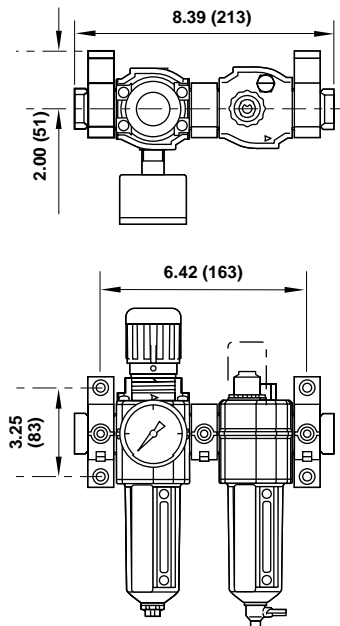
Shown with optional Quikclamp wall brackets.



Alternative Micro-Fog Type E73H- Alternative Oil-Fog Type E73J-

Includes Quikmount pipe adapters.

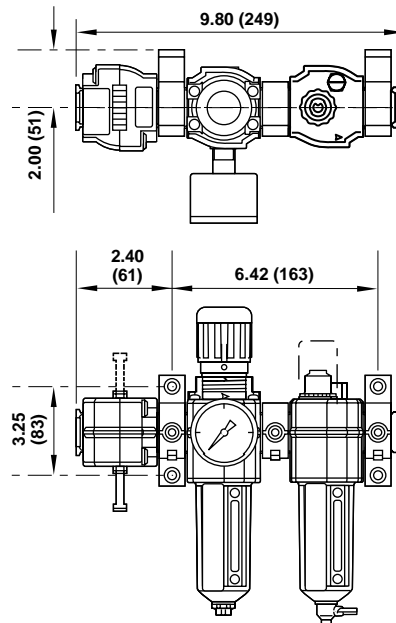
Shown with optional Quikclamp wall brackets.



Alternative Micro-Fog Type G73H- Alternative Oil-Fog Type G73J-

Includes lockout valve and Quikmount pipe adapter.

Shown with optional Quikclamp wall brackets.



Excelon 73 Filter/Regulator-Lubricator

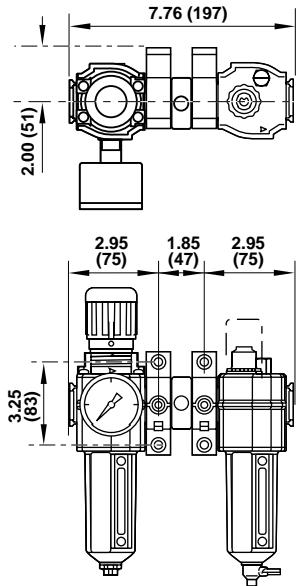
All Dimensions in Inches (mm)



Alternative Micro-Fog Type C73K- Alternative Oil-Fog Type C73L-

Includes porting block.

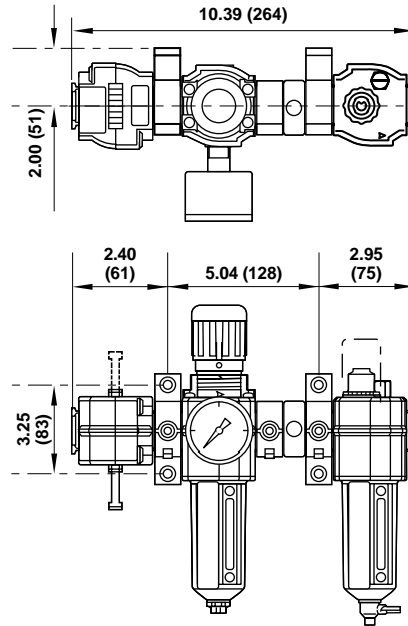
Shown with optional Quikclamp wall brackets.



Alternative Micro-Fog Type D73K- Alternative Oil-Fog Type D73L-

Includes lockout valve and porting block.

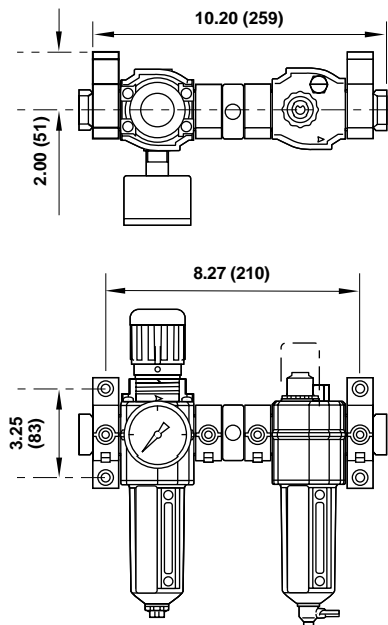
Shown with optional Quikclamp wall brackets.



Alternative Micro-Fog Type E73K- Alternative Oil-Fog Type E73L-

Includes Quikmount pipe adapters and porting block.

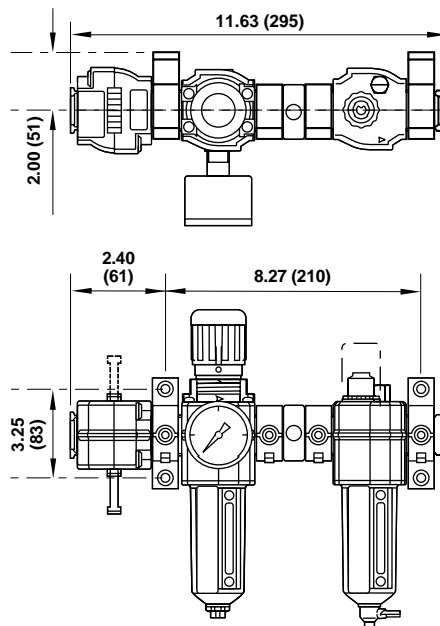
Shown with optional Quikclamp wall brackets.



Alternative Micro-Fog Type G73K- Alternative Oil-Fog Type G73L-

Includes lockout valve, Quikmount pipe adapter, and porting block.

Shown with optional Quikclamp wall brackets.



B74, L74 Combination Units

74 Series Filter/Regulator-Lubricator
3/8", 1/2", and 3/4" Port Sizes

- True modularity with Norgren Quikclamp™ connections
- Quick release bayonet bowl
- Lubricator flow sensor provides a nearly constant oil/air ratio over a wide range of air flows
- All around (360°) visibility of the lubricator sight-feed dome simplifies installation and adjustment
- Regulator balanced valve minimizes effect of variation in the inlet pressure on the outlet pressure

Use Micro-Fog models in applications containing one or more points of lubrication.
Use Oil-Fog models to lubricate a single tool, cylinder, or other air driven device.



Technical Data

Fluid: Compressed air

Maximum pressure:

Transparent bowl: 150 psig (10 bar)

Metal bowl: 250 psig (17 bar)

Operating temperature*:

Transparent bowl: 0° to 125°F (-20° to 50°C)

Metal bowl: 0° to 175°F (-20° to 80°C)

* Air supply must be dry enough to avoid ice formation at temperatures below 35°F (2°C).

Particle removal: 5 µm, 25 µm, or 40 µm filter element

Manual drain connection: 1/8"

Automatic drain connection: 1/8"

Automatic drain operating conditions (float operated)

Bowl pressure required to close drain: Greater than 5 psig (0.3 bar)

Bowl pressure required to open drain: Less than 3 psig (0.2 bar)

Minimum air flow required to close drain: 2 scfm (1 dm³/s)

Manual operation: Depress pin inside drain outlet to drain bowl

Nominal bowl size:

Standard: 7 fluid ounce (0.2 liter)

Optional size for lubricator: 1 quart US (1 liter)

Gauge Ports:

1/4" PTF with PTF main ports

Rc 1/4 with ISO Rc main ports

Rc 1/8 with ISO G main ports

Recommended lubricants: See Section ALE-29.

Materials:

Body: Aluminum

Bonnet: Aluminum

Filter/Regulator valve: Brass

Bowl

Transparent: Polycarbonate with steel bowl guard

Metal: Aluminum

Metal bowl liquid level indicator lens:

7 fluid ounce (0.2 liter): Transparent nylon

1 quart US (1 liter): Pyrex

Sight-Feed dome: Transparent nylon

Element: Sintered polypropylene

Elastomers: Neoprene and nitrile

See Section ALE-25 for Accessories



Ordering information. Models listed include Micro-Fog lubricator, PTF threads, knob pressure adjustment, metal filter bowl with liquid level indicator and automatic drain, 40 µm filter element, relieving diaphragm, 150 psig (10 bar) regulating spring, with gauge, 7 fluid oz. (0.2 liter) metal lubricator bowl with liquid level indicator and 1/4 turn manual drain.

Combination Unit Type	Port Size	Model	Weight lb (kg)
Filter/Regulator-Lubricator (F/R-L)	3/8"	C74H-3AK-AD3-RMG-QDN	5.20 (2.36)
	1/2"	C74H-4AK-AD3-RMG-QDN	5.07 (2.30)
	3/4"	C74H-6AK-AD3-RMG-QDN	5.00 (2.27)

Alternative Models

★ 7 4 ★ - ★ ★ ★ - ★ ★ ★ - ★ ★ ★ - ★ ★ ★

Lockout Valve/ Quikmount	Substitute
Standard combination (no lockout valve or Quikmount)	C
With lockout valve on inlet	D
With Quikmount pipe adapters on inlet and outlet	E
With lockout valve on inlet and Quikmount pipe adapter on outlet	G

Combination Unit Type	Substitute
Standard Micro-Fog F/R-L	H
Standard Oil-Fog F/R-L	J
Micro-Fog F/R-L with porting block between filter/regulator and lubricator	K
Oil-Fog F/R-L with porting block between filter/regulator and lubricator	L

Port Size	Substitute
3/8"	3
1/2"	4
3/4"	6

Threads	Substitute
PTF	A
ISO Rc taper	B
ISO G parallel	G

Pressure Adjustment	Substitute
Knob	K
T-bar	T

Accessories	Substitute
Quikclamp wall brackets	B
Quikclamp wall brackets and lubricator quick fill nipple	C
No accessories	N
Lubricator quick fill nipple	Q

Lubricator Bowl	Substitute
1 quart US (1 liter) metal with liquid level indicator	A
7 fluid oz. (0.2 liter) metal with liquid level indicator	D
7 fluid oz. (0.2 liter) transparent with zinc guard	P

Lubricator Drain	Substitute
Closed bottom	E
Manual, 1/4 turn	Q
Remote fill ††	R

Filter/Regulator Gauge	Substitute
With gauge	G
No gauge	N

Regulation spring **	Substitute
5 to 60 psig (0.3 to 4 bar)	F
5 to 150 psig (0.3 to 10 bar)	M
10 to 250 psig (0.7 to 17 bar)†	S

Filter/Regulator Diaphragm	Substitute
Non relieving	N
Relieving	R

Filter Element	Substitute
5 µm	1
25 µm	2
40 µm	3

Filter Bowl	Substitute
Metal with liquid level indicator	D
Transparent with guard	P

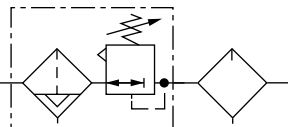
Filter Drain	Substitute
Automatic	A
Manual, 1/4 turn	Q

** Outlet pressure can be adjusted to pressures in excess of, and less than, those specified. Do not use these units to control pressures outside of the specified ranges.

† Units with 250 psig (17 bar) outlet pressure range are available only with the T-bar adjustment; therefore substitute **T** at the 7th position and **S** at the 12th position.

†† Use remote fill only with 7 fluid oz. (0.2 liter) bowls.

ISO Symbol



Filter with automatic drain, Regulator with relieving diaphragm, Lubricator with manual drain

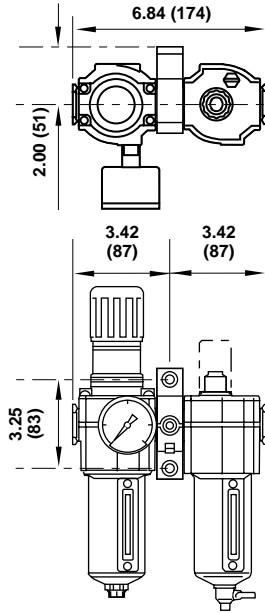


74 Series Filter/Regulator-Lubricator

All Dimensions in Inches (mm)

Standard Micro-Fog Type C74H- Standard Oil-Fog Type C74J-

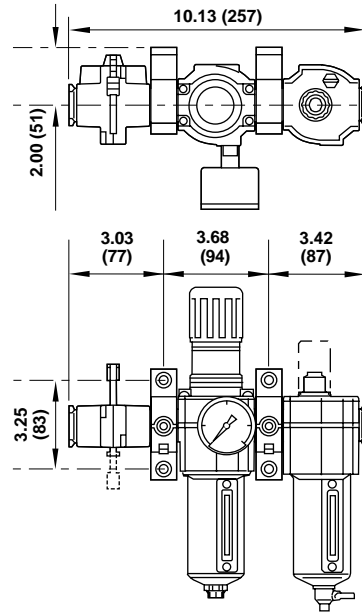
Shown with optional Quikclamp wall bracket.



Alternative Micro-Fog Type D74H- Alternative Oil-Fog Type D74J-

Includes lockout valve.

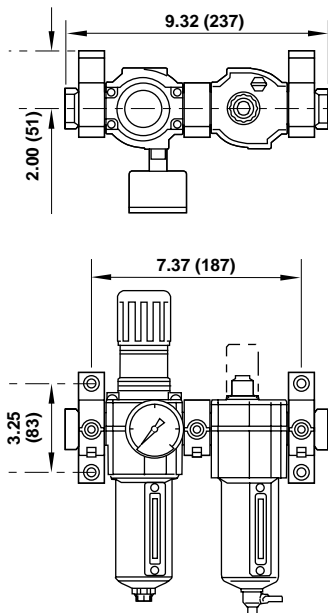
Shown with optional Quikclamp wall brackets.



Alternative Micro-Fog Type E74H- Alternative Oil-Fog Type E74J-

Includes Quikmount pipe adapters.

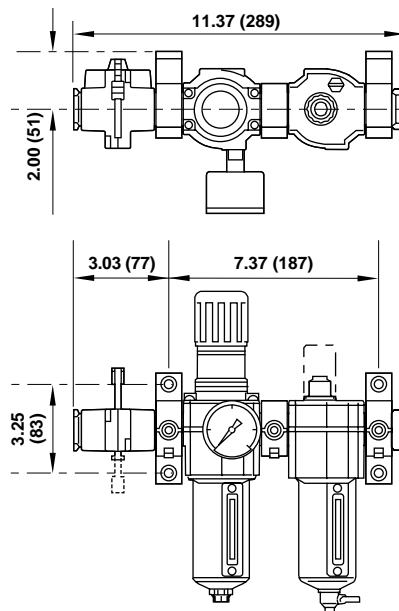
Shown with optional Quikclamp wall brackets.



Alternative Micro-Fog Type G74H- Alternative Oil-Fog Type G74J-

Includes lockout valve and Quikmount pipe adapter.

Shown with optional Quikclamp wall brackets.



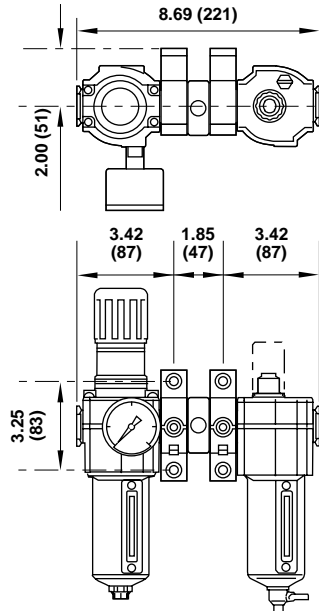
74 Series Filter/Regulator-Lubricator

All Dimensions in Inches (mm)



Alternative Micro-Fog Type C74K- Alternative Oil-Fog Type C74L- Includes porting block.

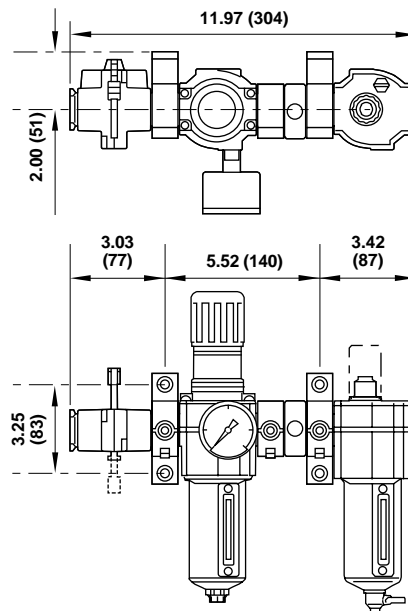
Shown with optional Quikclamp wall brackets.



Alternative Micro-Fog Type D74K- Alternative Oil-Fog Type D74L- Includes lockout valve and porting block.

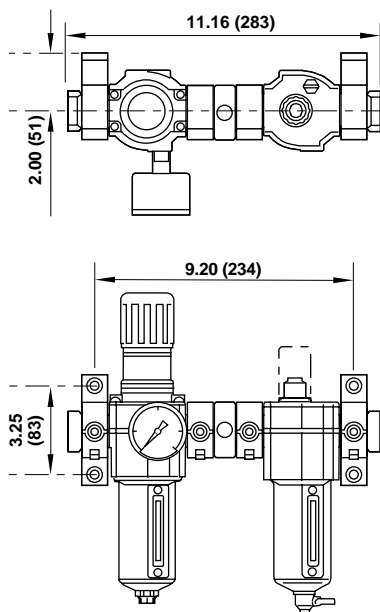
Includes lockout valve and porting block.

Shown with optional Quikclamp wall brackets.



Alternative Micro-Fog Type E74K- Alternative Oil-Fog Type E74L- Includes Quikmount pipe adapters and porting block.

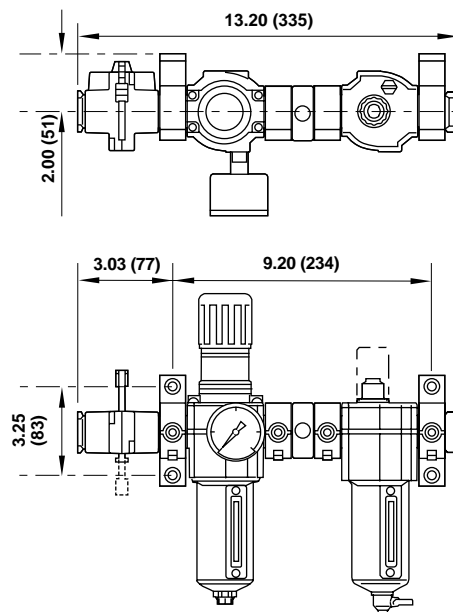
Shown with optional Quikclamp wall brackets.



Alternative Micro-Fog Type G74K- Alternative Oil-Fog Type G74L- Includes lockout valve, Quikmount pipe adapter, and porting block.

Includes lockout valve, Quikmount pipe adapter, and porting block.

Shown with optional Quikclamp wall brackets.



- **Olympian Plus plug in design**
- **High Efficiency water and particle removal**
- **Quick release bayonet bowls**
- **High visibility prismatic sight glass**
- **Push to lock adjusting knob with tamper resistant option**
- **Constant oil density output with varying flow**



Technical Data

Fluid: Compressed air

Maximum pressure:

Transparent bowl: 150 psig (10 bar)

Metal bowl: 250 psig (17 bar)

Operating temperature*:

Transparent bowl: 0° to 125°F (-20° to 50°C)

Metal bowl: 0° to 175°F (-20° to 80°C)

* Air supply must be dry enough to avoid ice formation at temperatures below 35°F (2°C).

Particle removal: 5 µm, 25 µm, or 40 µm filter element

Manual drain connection: Will fit 1/8-27 and 1/8-28 pipe thread

Automatic drain connection: Will fit 1/8-27 and 1/8-28 pipe thread

Automatic drain operating conditions (float operated):

Bowl pressure required to close drain: Greater than 5 psig (0.3 bar)

Bowl pressure required to open drain: Less than 3 psig (0.2 bar)

Minimum air flow required to close drain: 2 scfm (1 dm³/s)

Manual operation: Depress pin inside drain outlet to drain bowl

Nominal bowl size:

Standard: 7 fluid ounce (0.2 liter)

Optional size for lubricator: 1 quart (1 liter)

Gauge Ports:

1/4" PTF with PTF main ports

Rc 1/8 with ISO Rc main ports

Rc 1/8 with ISO G main ports

Recommended lubricants: See Section ALE-29.

Materials:

Body and yoke: Zinc

Bonnet: Aluminum

Filter/Regulator valve: Brass

Bowl:

Transparent: Polycarbonate

Metal: Aluminum

Metal bowl liquid level indicator lens:

7 fluid ounce (0.2 liter): Transparent nylon

1 quart (1 liter): Pyrex

Sight-Feed dome: Polycarbonate

Element: Sintered polypropylene

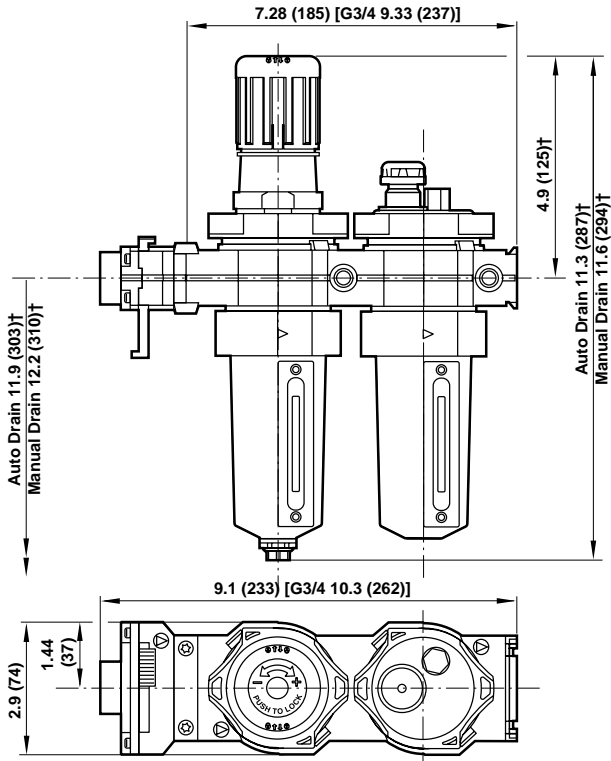
Elastomers: Neoprene and nitrile

See Section ALE-25 for Accessories



Filter/Regulator-Lubricator

All Dimensions in Inches (mm)



† Reduces by .16 (4mm) with knob in locked position.
Add .15 (37mm) for unit with T-handle.

Service Kits

Item	Type	Part number
Service kit	Relieving Filter-Regulator	4383-200
Service kit	Non-relieving Filter-Regulator	4383-201
Service kit	Lubricator	4382-200
Replacement elements	5 µm	4338-01
	25 µm	4338-99
	40 µm	4338-02
Replacement sight glass	B64, plastic	4380-040
	L64, plastic	4380-042
	B64 and L64, Pyrex	4380-041
	L64, 1 quart bowl, Pyrex	2273-22
Replacement drains	Automatic	3000-10
	Manual, 1/4 turn	619-50

Filter-Regulator service kit includes port seals, louver 'O' ring, bowl 'O' ring and drain gasket, slip ring, valve assembly, valve spring and diaphragm.
Lubricator service kit includes all seals, flow sensor, eyelet, dome screen, ball and spring.